

Dometic Variable Capacity Chiller

Smoothly Adjusts BTUs As Needed



Maximize chiller efficiency and reduce electrical load fluctuations with Dometic's innovative Variable Capacity Chiller (VARC). At full speed, the VARC provides its maximum output of cooling or heating. It also has the ability to modulate its speed in order to precisely match demand.

Other chillers use a basic all-on or all-off method for water-loop temperature control, continuously starting and stopping which greatly changes the load on the generator. By precisely balancing output to load, the swing (hysteresis) in loop water temperature is minimized. The VARC uses a precision PID (proportional integral derivative) loop control algorithm that modulates the compressor speed and balances chiller output with required load. This smooth operation eliminates large swings in current on the generator.

The VARC uses the advanced technology of an Electronic Expansion Valve (EEV). This provides more precise control of superheat across a broad range of conditions with no erratic swings as the valve reacts to temperature and pressure changes (no "hunting"). Using an advanced algorithm, superior superheat control is maintained over extreme operating conditions.

The innovative design of plumbing connections improves ease of installation and maintenance. All connections come straight out of the unit to simplify the manifold and minimize the final installation depth while also presenting clean and professional plumbing connections.

An optional high-resolution color touchscreen provides a dynamic interface and improved system metrics and control. Access detailed, complex system information from a single location and interact accordingly.

Key Benefits

- Variable capacity increases or decreases BTUs as thermal load changes
- Compact footprint
- Operates steadily at lower speeds to provide maximum efficiency
- Select from 3 user-adjustable amp limits: Econo, Normal, or Boost
- Electronic expansion valve for precise control of superheat
- Easy, flexible plumbing configurations with less depth needed
- The VARC72 has a remote mountable electric box (up to 5 ft/1.5 m) with two mounting positions on the unit
- The VARC72 has built-in lifting handles

Special Options

- High-resolution, interactive touchscreen display
- Dometic STIIC software provides interactive management via smart phone, tablet, or computer
- Dometic STIIC software provides secure access from Dometic global technical support



Built-in variable frequency drive.



Integrated digital chiller control/display.



Electronic expansion valve for precise control of superheat.



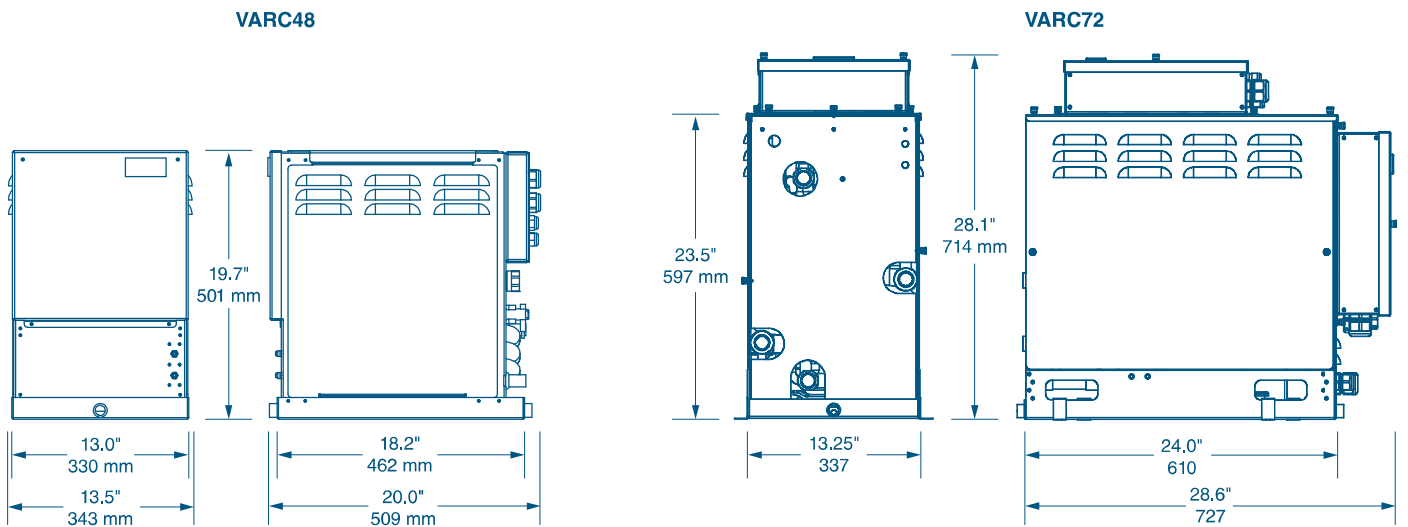
Specifications for Variable Capacity Chiller

Model	VARC48	VARC72
Capacity (BTU/h)	48,000	72,000
Voltage/Cycle/Ph	208-230V/50 or 60Hz/1 Ph	208-230V/50 or 60Hz/1 Ph
Full Load Amps (FLA) Cool	15.9 ⁽¹⁾	22.0 ⁽²⁾
Full Load Amps (FLA) Heat	17.0 ⁽¹⁾	14.0 ⁽²⁾
Seawater Connection	7/8 in. OD tube	1 in. OD tube
Chilled Water Connection	1 in. FPT	1 in. FPT
Drain Connection	1/2 in. NPT	1/2 in. NPT
Seawater Pressure Drop @ 12 GPM	7.1 PSI	7.0 PSI
Chilled Water Pressure Drop @ 12 GPM	11.8 PSI	11.5 PSI
Gross Weight (lbs/kg)	205/92.9	270/122.4

¹ At full speed and 230V/50 or 60Hz/1-phase input power.

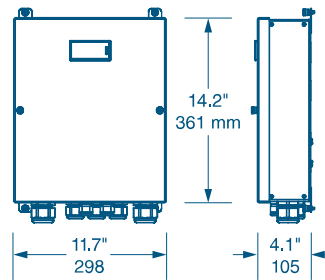
² FLA amps are in normal mode default setting.

Dimensions



All dimensions ± 0.25 in.

VARC72 Electrical Box



DOMETIC MARINE DIVISION

2000 N. Andrews Ave. Ext. | Pompano Beach, FL 33069 USA | Tel. 954-973-2477 | Fax: 954-979-4414
 www.Dometic.com/Marine | MarineSales@DometicUSA.com

24/7 TECH SUPPORT FOR UNITED STATES & CANADA:

8:00 AM to 5:00 PM Eastern Time: 800-542-2477
 After hours and weekends: 888-440-4494

INTERNATIONAL SALES & SERVICES

Europe & the Middle East: Call +44(0)870-330-6101
 For all other areas visit our website to find your nearest distributor.

L-3372 Rev. 20160916

Specifications and availability subject to change without notice.



MARINE / CARAVAN REFRIGERATION & AIRCONDITIONING
CARAVAN REPAIRS

☎ 07 3286 3522 📍 259 South Street, Cleveland QLD 4163