

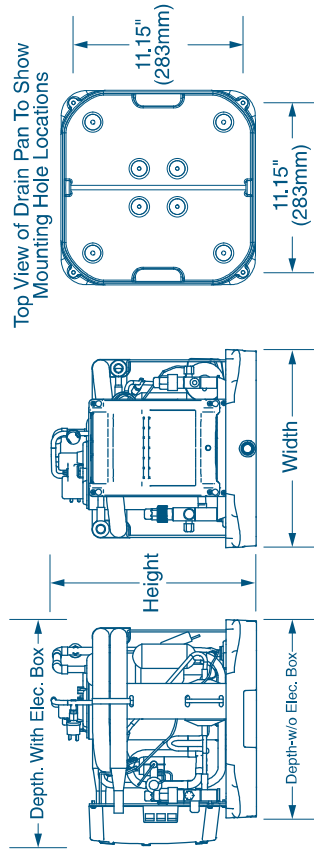


# Specifications for Emerald Series (6K-16K) Condensers

Model <sup>(1)</sup>	DEU6	DEU8	DEU10	DEU12	DEU16
Capacity (BTU/h) <sup>(2)</sup>	6000	8000	10000	12000	16000
Voltage (V)	115	115	115	115	115
Cycle (Hz) <sup>(3)</sup> /Phase (Ph)	60/1	50/1	50/1	50/1	60/1
Full Load Amps (FLA) Cool (A)	3.8	4.2	5.6	7.6	8.8
Full Load Amps (FLA) Heat (A)	5.1	2.44	3.3	3.8	12
Locked Rotor Amps (LRA) (A)	36	17.5	17.7	21	62
Max. Circuit Breaker (A)	15	10	25	30	40
Min. Circuit Ampacity (A)	11	7	15	18	23
Refrigerant Type	410A	410A	410A	410A	410A
Water Flow (lpm)	1.5/5.7	2/7.6	2.5/9.5	3/11.4	4/15.2
Max. Height (in/mm) <sup>(4)</sup>	12/305	12/305	13/331	13/331	14.1/359
Width (in/mm) <sup>(4)</sup>	13.3/338	13.3/338	13.3/338	13.3/338	13.3/338
Depth-Without Elec. Box (in/mm) <sup>(4)</sup>	13.3/338	13.3/338	13.3/338	13.3/338	13.3/338
Depth-With Elec. Box (in/mm) <sup>(4)</sup>	15.1/384	15.1/384	15.1/384	15.1/384	15.1/384
Seawater Inlet Connection (in/mm)	3/8	3/8	3/8	3/8	3/8
Seawater Connection Type	cupronickel tube	cupronickel tube	cupronickel tube	cupronickel tube	cupronickel tube
Refrigerant Line Connection-Discharge (in)	1/4	1/4	1/4	1/4	1/4
Refrigerant Line Connection-Suction (in)	3/8	3/8	3/8	3/8	3/8
Net Weight (lbs/kg) <sup>(5)</sup>	43/19.6	42.05/19.1	45/20.5	44.25/20.1	49/22.3
Gross Weight (lbs/kg) <sup>(5)</sup>	50/22.7	49.5/22.5	52/23.6	50.5/23	56/25.5
Height-Electrical Box (in/mm)	8.75/223	8.75/223	8.75/223	8.75/223	8.75/223
Width-Electrical Box (in/mm)	6.5/166	6.5/166	6.5/166	6.5/166	6.5/166
Depth-Electrical Box (in/mm)	2.63/67	2.63/67	2.63/67	2.63/67	2.63/67

<sup>1</sup> To complete the model numbers for a specific voltage/cycle/phase, add a "-410" then "115V/60Hz/1-Phase", "-251" for 220-240V/50Hz/1-Phase, or "-261" for 230V/60Hz/1-Phase (e.g. "DEU12-2410-2361").  
<sup>2</sup> BTU and electrical data are based on a 45°F/7.2°C evaporator and 100°F/37.8°C condenser in cool mode, and a 45°F/7.2°C evaporator and 130°F/54.4°C condenser in heat mode.  
<sup>3</sup> 60Hz units must not operate at 50Hz and 50Hz units must not operate at 60Hz unless data plate says otherwise.  
<sup>4</sup> All dimensions ± 0.30 in. (8 mm).  
<sup>5</sup> All weights ± 10%.

## Dimensions



**DOMETIC MARINE DIVISION**  
 2000 N. Andrews Ave. Ext. | Pompano Beach, FL 33069 USA | Tel: 954-973-2477 | Fax: 954-979-4414  
[www.Dometic.com/Marine](http://www.Dometic.com/Marine) | [MarineSales@DometicUSA.com](mailto:MarineSales@DometicUSA.com)

**24/7 TECH SUPPORT FOR UNITED STATES & CANADA:**  
 8:00 AM to 5:00 PM Eastern Time: 800-542-2477  
 After hours and weekends: 888-440-4494

**INTERNATIONAL SALES & SERVICES**  
 Europe & the Middle East: Call +44(0)870-330-6101  
 For all other areas visit our website to find your nearest distributor.

L-2703A Rev. 20160212

Specifications and availability subject to change without notice.



**MARINE / CARAVAN REFRIGERATION & AIRCONDITIONING**  
**CARAVAN REPAIRS**

☎ 07 3286 3522 📍 259 South Street, Cleveland QLD 4163